

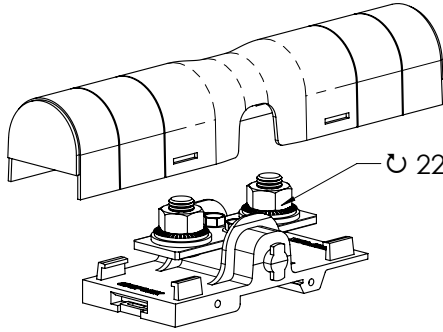
SBLL250/SBLL500/SBLL800

561132/561134/561136

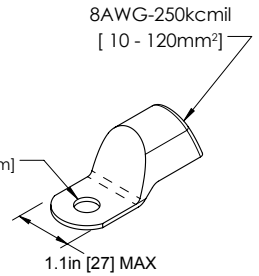
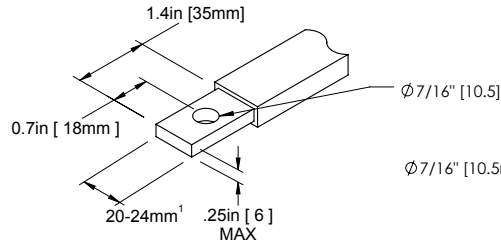


561132 : SBLL250

UL: 255 AMP - SCCR rated for up to 100kA* / IEC: 290 AMP - l_{cw} 14.4kA rms - l_{pk} up to 42kA[†] / CSA: 255 AMP

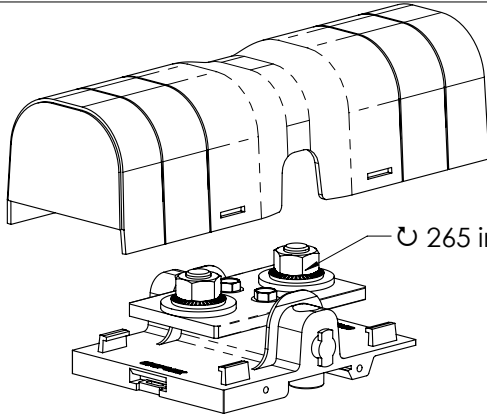


⌀ 221 in-lbs [25Nm]

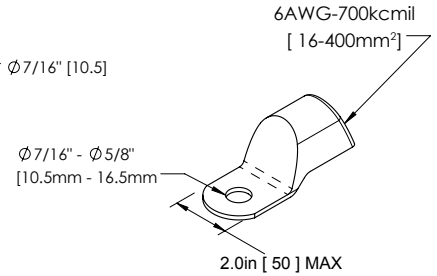
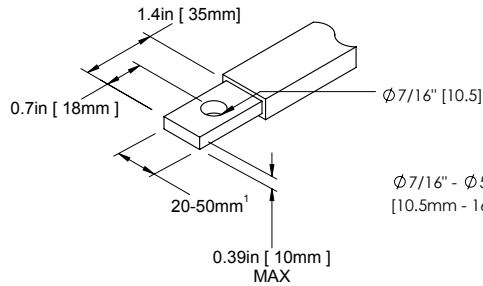


561134 : SBLL500

UL: 475 AMP - SCCR rated for up to 100kA¹ / IEC: 750 AMP - l_{cw} 36kA rms - l_{pk} 51kA / CSA: 475 AMP

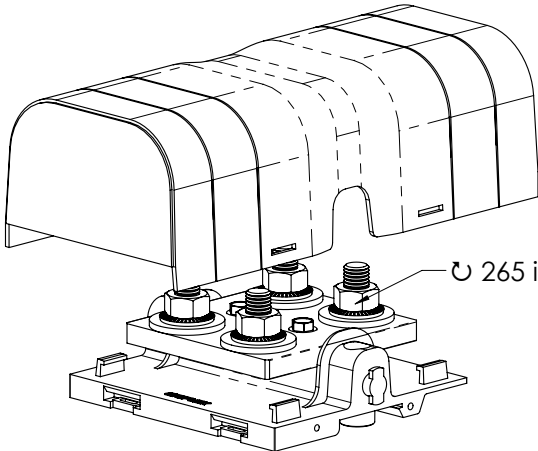


⌀ 265 in-lbs [30Nm]

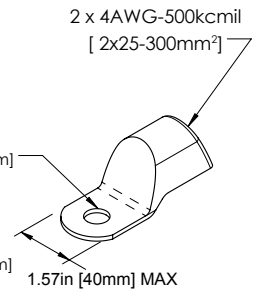
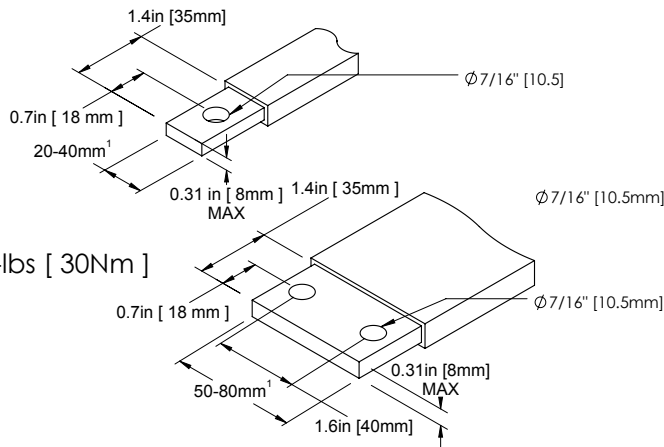


561136 : SBLL800

UL: 800 AMP - SCCR rated for up to 100kA* / IEC: 1250 AMP - l_{cw} 57.6kA rms - l_{pk} 75kA / CSA: 800AMP



⌀ 265 in-lbs [30Nm]



NOTES:

1. * SEE UL FILE E198301 FOR UL1059SA SHORT CIRCUIT CURRENT RATING CONDITIONS
2. [†] SBLL250: WHEN NOT MOUNTED USING DIN RAIL:
 - A. For IEC short circuit rating of 42kA l_{pk} a SBLEC must be used on both ends and between each block in a set.
 - B. For IEC short circuit rating of 20kA l_{pk}, up to three terminal blocks can be mounted between SBLEC end stops.

WARNING:

1. nVent products shall be installed and used only as indicated in nVent product instruction sheets and training materials. Instruction sheets are available at www.nvent.com and from your nVent customer service representative.
2. nVent products must never be used for a purpose other than the purpose for which they were designed or in a manner that exceeds specified load ratings.
3. All instructions must be completely followed to ensure proper and safe installation and performance.
4. Improper installation, misuse, misapplication or other failure to completely follow nVent's instructions and warnings may cause product malfunction, property damage, serious bodily injury and/or death, and void your warranty.

SAFETY INSTRUCTIONS:

All governing codes and regulations and those required by the job site must be observed. Always use appropriate safety equipment such as eye protection, hard hat, and gloves as appropriate to the application.

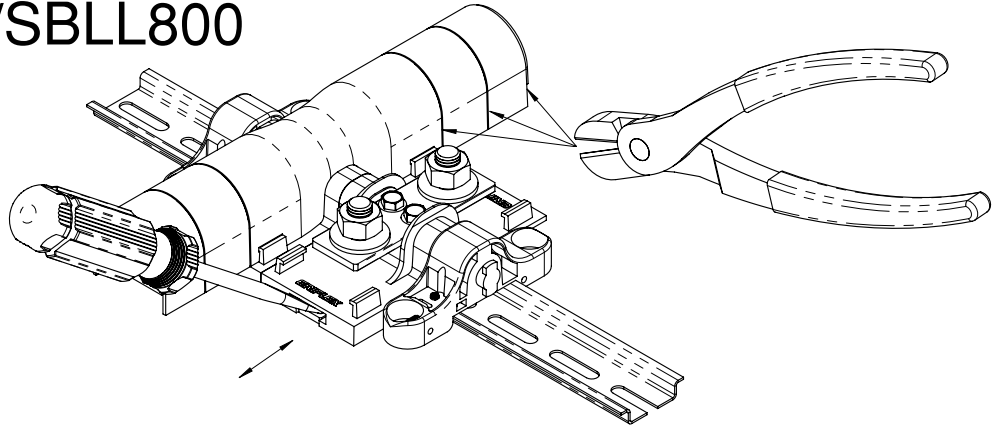
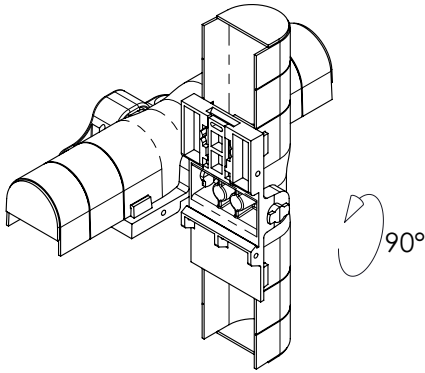
cURus is a registered Recognized Component Mark of Underwriters Laboratories, Inc
 UL is a registered trademark of Underwriters Laboratories, Inc.
 IEC is a registered trademark of International Electrotechnical Commission
 CSA mark is a registered trademark of CSA Group Certification & Testing Inc..

nVent, CADDY, ERICO CADWELD, ERICO CRITEC, ERICO, ERIFLEX, and LENTON are owned by nVent or its global affiliates. All other trademarks are the property of their respective owners. nVent reserves the right to change specifications without prior notice.

SBLL250/SBLL500/SBLL800

561132/561134/561136

Easy Side-by-Side attachment

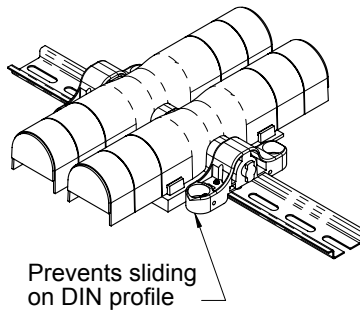
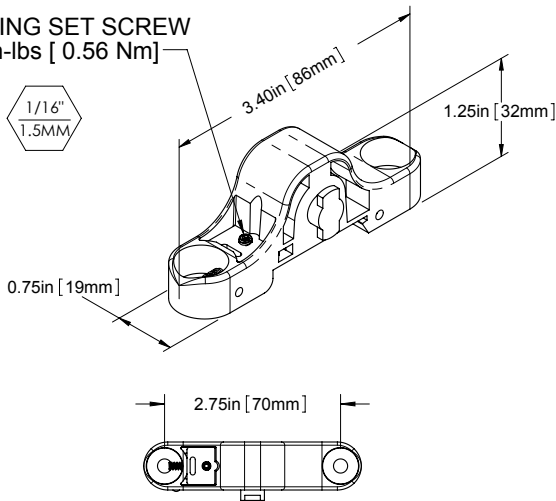


Clips lock in the out position for easier installation and removal

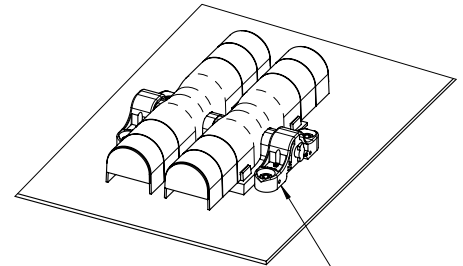
***MUST BE PUSHED IN WHEN INSTALLED ON DIN PROFILE**

561138 : SBLEC - END STOP

LOCKING SET SCREW
5 in-lbs [0.56 Nm]



Prevents sliding on DIN profile

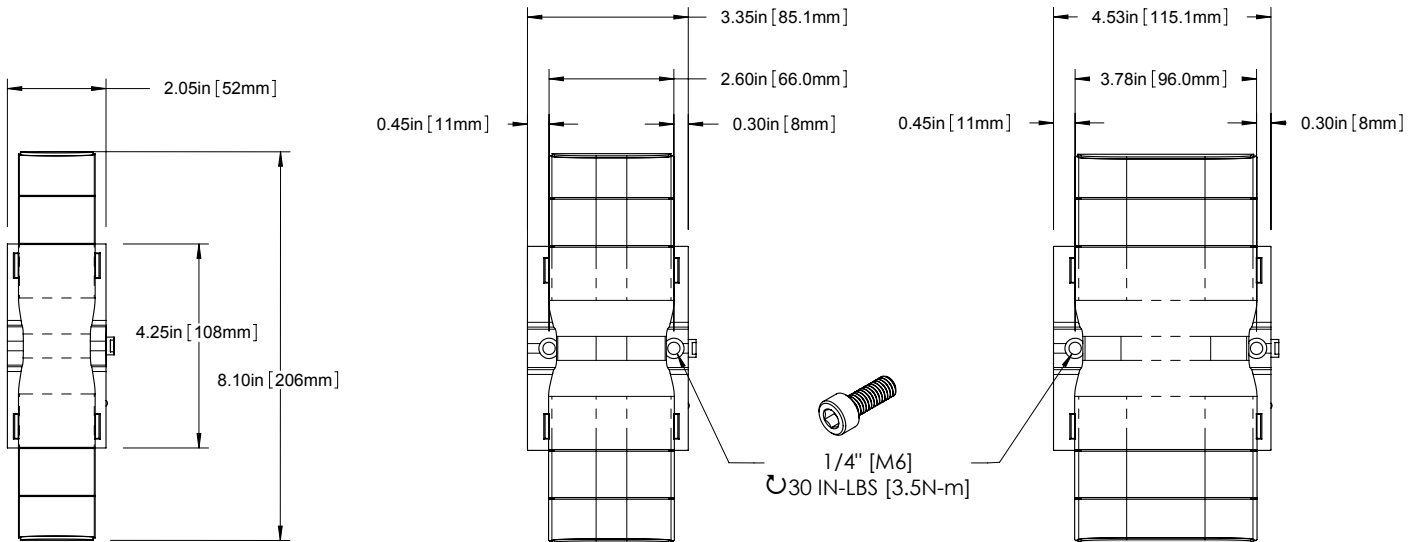


Used to mount SBLL250 blocks directly to a panel.

561132

561134

561136



NOTE:

1. For multiple phase assemblies, join blocks together before installing on DIN profile
2. When mounted on DIN profile end stops must be used on both ends of a set of blocks.
3. IEC short circuit applications require the cable to be secured within 0.2m of the terminal block.

nVent, CADDY, ERICO CADWELD, ERICO CRITEC, ERICO, ERIFLEX, and LENTON are owned by nVent or its global affiliates. All other trademarks are the property of their respective owners. nVent reserves the right to change specifications without prior notice.