

Improved nVent CADDY Cat HP J-Hook



nVent CADDY Cat HP J-Hooks are the foundation of the nVent CADDY Cat HP System. The revamped nVent CADDY Cat HP J-Hook offers contractors three unique, UL-certified attachment methods out of the box—wall, ceiling, and threaded rod installations. This added functionality enables contractors to reduce SKU inventory while maintaining efficiency and continued progress on the jobsite with the most common structural attachment methods.

The modernized design of the nVent CADDY Cat HP J-Hook is engineered to provide optimal support and protection for today's rapidly evolving, high-performing low voltage cable. Contractors can feel confident utilizing the nVent CADDY Cat HP J-Hook due to its installation versatility, superior cable support and protection, and technical certifications.

FEATURES

- Versa-Mount Technology: Innovative attachment design provides multiple structural and installation methods for wall, ceiling, and threaded rod mounting applications
- Ideal for unknown jobsite applications or attachment methods
- Improved design allows for optimized inventory while reducing job site scheduling risks associated with multiple SKUs
- Provides optimal support for high-performance data cable—including category cable, Power over Ethernet (PoE), and fiber optic
- Industry-leading bend radius designed to protect high-performance data installations
- Multiple color options aid in the identification and organization of the pathway application
- Provides superior fill capacity and load rating
- Compliant with UL® 2043 and suitable for use in air handling (plenum) spaces
- Meets ISO®/IEC 14763-2, ANSI®/TIA 568 and ANSI®/TIA 569
- Complies with EN 50174-2



Material: Steel

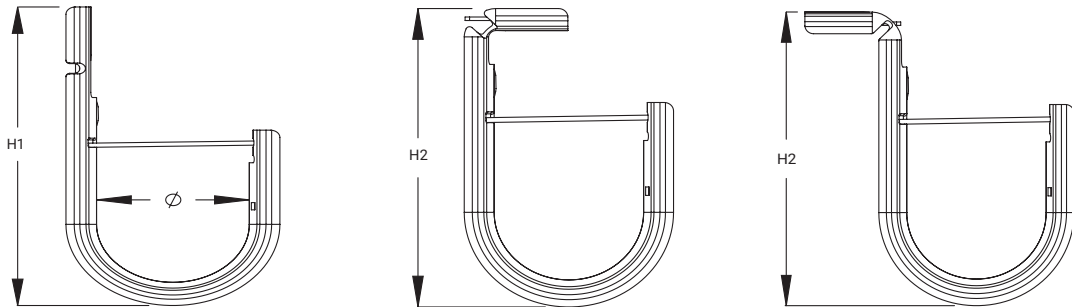
Catalog Number	Finish	Color	Diameter Ø	Area	Cable Capacity, Cat 5e	Cable Capacity, Cat 6	Cable Capacity, Cat 6A	Height H	Height 1 H1	Height 2 H2	Static Load F
CAT16HP	Pregalvanized	–	1"	1.07 in ²	20	15	10	–	4.29"	3.55"	60 lb
CAT16HPBA	Pregalvanized, Painted, Painted	Black	1"	1.07 in ²	20	15	10	4.29"	–	–	60 lb
CAT16HPBU	Pregalvanized, Painted, Painted	Blue	1"	1.07 in ²	20	15	10	4.29"	–	–	60 lb
CAT16HPGR	Pregalvanized, Painted, Painted	Green	1"	1.07 in ²	20	15	10	4.29"	–	–	60 lb

Catalog Number	Finish	Color	Diameter Ø	Area	Cable Capacity, Cat 5e	Cable Capacity, Cat 6	Cable Capacity, Cat 6A	Height H	Height 1 H1	Height 2 H2	Static Load F
CAT16HPRD	Pregalvanized, Painted, Painted	Red	1"	1.07 in ²	20	15	10	4.29"	–	–	60 lb
CAT16HPWH	Pregalvanized, Painted, Painted	White	1"	1.07 in ²	20	15	10	4.29"	–	–	60 lb
CAT16HPYL	Pregalvanized, Painted, Painted	Yellow	1"	1.07 in ²	20	15	10	4.29"	–	–	60 lb
CAT21HP	Pregalvanized		1 5/16"	2.29 in ²	50	40	25		4.81"	4.08"	60 lb
CAT21HPBA	Pregalvanized, Painted, Painted	Black	1 5/16"	2.29 in ²	50	40	25	4.81"	–	–	60 lb
CAT21HPBU	Pregalvanized, Painted, Painted	Blue	1 5/16"	2.29 in ²	50	40	25	4.81"	–	–	60 lb
CAT21HPGR	Pregalvanized, Painted, Painted	Green	1 5/16"	2.29 in ²	50	40	25	4.81"	–	–	60 lb
CAT21HPOR	Pregalvanized, Painted, Painted	Orange	1 5/16"	2.29 in ²	50	40	25	4.81"	–	–	60 lb
CAT21HPRD	Pregalvanized, Painted, Painted	Red	1 5/16"	2.29 in ²	50	40	25	4.81"	–	–	60 lb
CAT21HPWH	Pregalvanized, Painted, Painted	White	1 5/16"	2.29 in ²	50	40	25	4.81"	–	–	60 lb
CAT21HPYL	Pregalvanized, Painted, Painted	Yellow	1 5/16"	2.29 in ²	50	40	25	4.81"	–	–	60 lb
CAT32HP	Pregalvanized		2"	4.22 in ²	90	60	35	–	5.15"	4.42"	60 lb
CAT32HPBA	Pregalvanized, Painted	Black	2"	4.22 in ²	90	60	35	–	5.15"	4.42"	60 lb
CAT32HPBU	Pregalvanized, Painted	Blue	2"	4.22 in ²	90	60	35	–	5.15"	4.42"	60 lb
CAT32HPGR	Pregalvanized, Painted	Green	2"	4.22 in ²	90	60	35	–	5.15"	4.42"	60 lb
CAT32HPOR	Pregalvanized, Painted	Orange	2"	4.22 in ²	90	60	35	–	5.15"	4.42"	60 lb
CAT32HPRD	Pregalvanized, Painted	Red	2"	4.22 in ²	90	60	35	–	5.15"	4.42"	60 lb
CAT32HPWH	Pregalvanized, Painted	White	2"	4.22 in ²	90	60	35	–	5.15"	4.42"	60 lb
CAT32HPYL	Pregalvanized, Painted	Yellow	2"	4.22 in ²	90	60	35	–	5.15"	4.42"	60 lb
CAT48HP	Pregalvanized		3"	9.26 in ²	200	150	80	–	6.48"	5.86"	60 lb
CAT48HPBA	Pregalvanized, Painted, Painted	Black	3"	9.26 in ²	200	150	80	6.48"	–	–	60 lb
CAT48HPBU	Pregalvanized, Painted, Painted	Blue	3"	9.26 in ²	200	150	80	6.48"	–	–	60 lb
CAT48HPGR	Pregalvanized, Painted, Painted	Green	3"	9.26 in ²	200	150	80	6.48"	–	–	60 lb
CAT48HPOR	Pregalvanized, Painted, Painted	Orange	3"	9.26 in ²	200	150	80	6.48"	–	–	60 lb
CAT48HPRD	Pregalvanized, Painted, Painted	Red	3"	9.26 in ²	200	150	80	6.48"	–	–	60 lb
CAT48HPWH	Pregalvanized, Painted, Painted	White	3"	9.26 in ²	200	150	80	6.48"	–	–	60 lb
CAT48HPYL	Pregalvanized, Painted, Painted	Yellow	3"	9.26 in ²	200	150	80	6.48"	–	–	60 lb
CAT64HP	Pregalvanized		4"	15.48 in ²	330	220	140		7.42"	7.09"	60 lb
CAT64HPBA	Pregalvanized, Painted, Painted	Black	4"	15.48 in ²	330	220	140	7.42"	–	–	60 lb
CAT64HPBU	Pregalvanized, Painted, Painted	Blue	4"	15.48 in ²	330	220	140	7.42"	–	–	60 lb

Catalog Number	Finish	Color	Diameter Ø	Area	Cable Capacity, Cat 5e	Cable Capacity, Cat 6	Cable Capacity, Cat 6A	Height H	Height 1 H1	Height 2 H2	Static Load F
CAT64HPGR	Pregalvanized, Painted, Painted	Green	4"	15.48 in ²	330	220	140	7.42"	–	–	60 lb
CAT64HPOR	Pregalvanized, Painted, Painted	Orange	4"	15.48 in ²	330	220	140	7.42"	–	–	60 lb
CAT64HPRD	Pregalvanized, Painted, Painted	Red	4"	15.48 in ²	330	220	140	7.42"	–	–	60 lb
CAT64HPWH	Pregalvanized, Painted, Painted	White	4"	15.48 in ²	330	220	140	7.42"	–	–	60 lb
CAT64HPYL	Pregalvanized, Painted, Painted	Yellow	4"	15.48 in ²	330	220	140	7.42"	–	–	60 lb

				Capacity (70% Fill)				
Cable	Number of Twisted Pairs	AWG	Cable Diameter	CAT16HP	CAT21HP	CAT32HP	CAT48HP	CAT64HP
UTP	4	24	0.197 in	20	30	70	160	280
FTP	4	24	0.236 in	15	20	50	110	190
SFTP	4	24	0.236 in	15	20	50	110	190
SFTP	4	23	0.276 in	10	15	40	85	140
F/STP	4	23	0.335 in	7	10	25	60	100
SFTP	4	23	0.335 in	7	10	25	60	100
SFTP	3x4	24	0.551 in	2	4	9	20	35
UTP	25	24	0.512 in	3	5	11	25	40

Non-continuous supports may not exceed spacing of 5' (1.5 m) per TIA 569-C.9.7 and EN 50174-2.
Cable capacity is calculated based on a 70% fill rate.



Our powerful portfolio of brands:

CADDY ERICO HOFFMAN ILSCO RAYCHEM SCHROFF