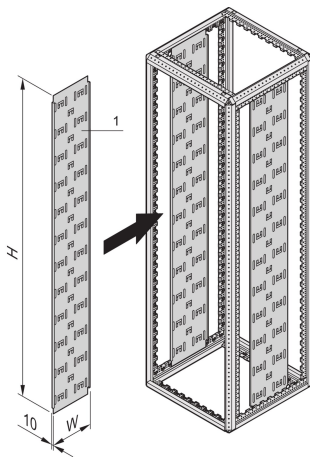


# Varistar Cable Panel

## Data Solutions



Vertical cable panel for Varistar free standing cabinets powdered in cabinet color in different widths.

### CERTIFICATIONS



### FEATURES

For fitting directly onto the frame

Cables are assembled in place with cable ties or Velcro

### SPECIFICATIONS

**Product Type:** Cabinet/Rack Panel

**Material:** Steel

Table 1/2

Catalog Number	Rack Height	Height	Width	Depth	Package Quantity	Color
23130-422	47U	2200mm	150mm	150mm	2	Black Grey

Catalog Number	Rack Height	Height	Width	Depth	Package Quantity	Color
23130-504		496mm	110mm	10mm	2	Black Grey
23130-420	38U	1800mm	150mm	150mm	2	Black Grey
23130-500		604mm	110mm	10mm	2	Black Grey
23130-501		446mm	110mm	10mm	2	Black Grey
23130-503		670mm	110mm	10mm	2	Black Grey
23130-628	52U	2450mm	150mm	150mm	2	Black Grey
23130-150	42U	2000mm	250mm	250mm	2	Black Grey
23130-421	42U	2000mm	150mm	150mm	2	Black Grey
23130-151	47U	2200mm	250mm	250mm	2	Black Grey
23130-625	52U	2450mm	250mm	250mm	2	Black Grey
23130-499		915.5mm	110mm	10mm	2	Black Grey
23130-502		1019mm	110mm	10mm	2	Black Grey

Table 2/2

Catalog Number	Color Code	Finish	Type
23130-422	RAL 7021	Powder Coated	Cable Panel
23130-504	RAL 7021	Powder Coated	Cable Panel
23130-420	RAL 7021	Powder Coated	Cable Panel
23130-500	RAL 7021	Powder Coated	Cable Panel
23130-501	RAL 7021	Powder Coated	Cable Panel
23130-503	RAL 7021	Powder Coated	Cable Panel
23130-628	RAL 7021	Powder Coated	Cable Panel
23130-150	RAL 7021	Powder Coated	Cable Panel
23130-421	RAL 7021	Powder Coated	Cable Panel
23130-151	RAL 7021	Powder Coated	Cable Panel
23130-625	RAL 7021	Powder Coated	Cable Panel
23130-499	RAL 7021	Powder Coated	Cable Panel
23130-502	RAL 7021	Powder Coated	Cable Panel

## WARNING

nVent products shall be installed and used only as indicated in nVent's product instruction sheets and training materials. Instruction sheets are available at [www.nvent.com](http://www.nvent.com) and from your nVent customer service representative. Improper installation, misuse, misapplication or other failure to completely follow nVent's instructions and warnings may cause product malfunction, property damage, serious bodily injury and death and/or void your warranty.



Our powerful portfolio of brands:

**CADDY   ERICO   HOFFMAN   ILSCO   SCHROFF   TRACHTE**