

Front Panel, Retrofit Shielding



Flat front panel. Shieldable with stainless steel EMC gasket.

CERTIFICATIONS



FEATURES

For stainless steel EMC gasket

Al, 2.5 mm, front anodized, conductive

SPECIFICATIONS

- Material:** Aluminum
- Accessory Type:** Front panel
- Product Type:** Front Panel
- Type:** Front Panel without Handle
- EMC Shielding:** No (Retrofittable)

Table 1/2

Catalog Number	Rack Height	Rack Width	Package Quantity	Mounting	Gasket Type	Front Finish
20846-436	3U	28HP	1	Screw-on Front	Stainless Steel EMC	Anodized
20846-425	3U	3HP	1	Screw-on Front	Stainless Steel EMC	Anodized

Catalog Number	Rack Height	Rack Width	Package Quantity	Mounting	Gasket Type	Front Finish
30846-588	2U	84HP	1	Screw-on Front	Stainless Steel EMC	Anodized
30846-771	6U	84HP	1	Screw-on Front	Stainless Steel EMC	Anodized
20846-448	6U	10HP	1	Screw-on Front	Stainless Steel EMC	Anodized
30846-676	3U	84HP	1	Screw-on Front	Stainless Steel EMC	Anodized
20846-430	3U	8HP	1	Screw-on Front	Stainless Steel EMC	Anodized
20846-442	6U	3HP	1	Screw-on Front	Stainless Steel EMC	Anodized
20846-456	6U	16HP	1	Screw-on Front	Stainless Steel EMC	Anodized
20846-449	6U	12HP	1	Screw-on Front	Stainless Steel EMC	Anodized
20846-434	3U	21HP	1	Screw-on Front	Stainless Steel EMC	Anodized
20846-429	3U	7HP	1	Screw-on Front	Stainless Steel EMC	Anodized
20846-426	3U	4HP	1	Screw-on Front	Stainless Steel EMC	Anodized
20846-427	3U	5HP	1	Screw-on Front	Stainless Steel EMC	Anodized
20846-454	6U	63HP	1	Screw-on Front	Stainless Steel EMC	Anodized
20846-438	3U	63HP	1	Screw-on Front	Stainless Steel EMC	Anodized
20846-453	6U	42HP	1	Screw-on Front	Stainless Steel EMC	Anodized
20846-450	6U	14HP	1	Screw-on Front	Stainless Steel EMC	Anodized
20846-452	6U	28HP	1	Screw-on Front	Stainless Steel EMC	Anodized
20846-437	3U	42HP	1	Screw-on Front	Stainless Steel EMC	Anodized

Table 2/2

Catalog Number	Rack Height	Rack Width	Package Quantity	Mounting	Gasket Type	Front Finish
----------------	-------------	------------	------------------	----------	-------------	--------------

20846-451	6U	21HP	1	Screw-on Front	Stainless Steel EMC	Anodized
20846-446	6U	7HP	1	Screw-on Front	Stainless Steel EMC	Anodized
20846-431	3U	10HP	1	Screw-on Front	Stainless Steel EMC	Anodized
20846-424	3U	16HP	1	Screw-on Front	Stainless Steel EMC	Anodized
20846-445	6U	6HP	1	Screw-on Front	Stainless Steel EMC	Anodized
30846-865	6U	2HP	1	Screw-on Front	Stainless Steel EMC	Anodized
20846-428	3U	6HP	1	Screw-on Front	Stainless Steel EMC	Anodized
20846-444	6U	5HP	1	Screw-on Front	Stainless Steel EMC	Anodized
30846-864	3U	2HP	1	Screw-on Front	Stainless Steel EMC	Anodized
20846-433	3U	14HP	1	Screw-on Front	Stainless Steel EMC	Anodized
20846-432	3U	12HP	1	Screw-on Front	Stainless Steel EMC	Anodized
30846-859	9U	84HP	1	Screw-on Front	Stainless Steel EMC	Anodized
20846-447	6U	8HP	1	Screw-on Front	Stainless Steel EMC	Anodized
20846-443	6U	4HP	1	Screw-on Front	Stainless Steel EMC	Anodized
30846-683	4U	84HP	1	Screw-on Front	Stainless Steel EMC	Anodized

Table 1/2

Catalog Number	Rear Finish	Treated Edges	Complies With	Finish
20846-436	Conductive	No	IEC 60297-3-101, IEEE 1101.1/10	Anodized
20846-425	Conductive	No	IEC 60297-3-101, IEEE 1101.1/10	Anodized
30846-588	Conductive	No	IEC 60297-3-101, IEEE 1101.1/10	Anodized, Passivated
30846-771	Conductive	No	IEC 60297-3-101, IEEE 1101.1/10	Anodized

Catalog Number	Rear Finish	Treated Edges	Complies With	Finish
20846-448	Conductive	No	IEC 60297-3-101, IEEE 1101.1/10	Anodized
30846-676	Conductive	No	IEC 60297-3-101, IEEE 1101.1/10	Anodized, Passivated
20846-430	Conductive	No	IEC 60297-3-101, IEEE 1101.1/10	Anodized
20846-442	Conductive	No	IEC 60297-3-101, IEEE 1101.1/10	Anodized
20846-456	Conductive	No	IEC 60297-3-101, IEEE 1101.1/10	Anodized
20846-449	Conductive	No	IEC 60297-3-101, IEEE 1101.1/10	Anodized
20846-434	Conductive	No	IEC 60297-3-101, IEEE 1101.1/10	Anodized
20846-429	Conductive	No	IEC 60297-3-101, IEEE 1101.1/10	Anodized
20846-426	Conductive	No	IEC 60297-3-101, IEEE 1101.1/10	Anodized
20846-427	Conductive	No	IEC 60297-3-101, IEEE 1101.1/10	Anodized
20846-454	Conductive	No	IEC 60297-3-101, IEEE 1101.1/10	Anodized
20846-438	Conductive	No	IEC 60297-3-101, IEEE 1101.1/10	Anodized
20846-453	Conductive	No	IEC 60297-3-101, IEEE 1101.1/10	Anodized
20846-450	Conductive	No	IEC 60297-3-101, IEEE 1101.1/10	Anodized
20846-452	Conductive	No	IEC 60297-3-101, IEEE 1101.1/10	Anodized
20846-437	Conductive	No	IEC 60297-3-101, IEEE 1101.1/10	Anodized

Table 2/2

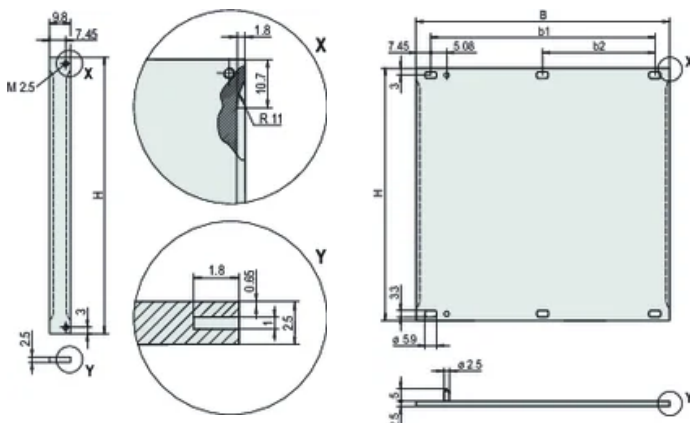
Catalog Number	Rear Finish	Treated Edges	Complies With	Finish
20846-451	Conductive	No	IEC 60297-3-101, IEEE 1101.1/10	Anodized
20846-446	Conductive	No	IEC 60297-3-101, IEEE 1101.1/10	Anodized
20846-431	Conductive	No	IEC 60297-3-101, IEEE 1101.1/10	Anodized

Catalog Number	Rear Finish	Treated Edges	Complies With	Finish
20846-424	Conductive	No	IEC 60297-3-101, IEEE 1101.1/10	Anodized
20846-445	Conductive	No	IEC 60297-3-101, IEEE 1101.1/10	Anodized
30846-865	Conductive	No	IEC 60297-3-101, IEEE 1101.1/10	Anodized
20846-428	Conductive	No	IEC 60297-3-101, IEEE 1101.1/10	Anodized
20846-444	Conductive	No	IEC 60297-3-101, IEEE 1101.1/10	Anodized
30846-864	Conductive	No	IEC 60297-3-101, IEEE 1101.1/10	Anodized
20846-433	Conductive	No	IEC 60297-3-101, IEEE 1101.1/10	Anodized
20846-432	Conductive	No	IEC 60297-3-101, IEEE 1101.1/10	Anodized
30846-859	Conductive	No	IEC 60297-3-101, IEEE 1101.1/10	Anodized
20846-447	Conductive	No	IEC 60297-3-101, IEEE 1101.1/10	Anodized
20846-443	Conductive	No	IEC 60297-3-101, IEEE 1101.1/10	Anodized
30846-683	Conductive	No	IEC 60297-3-101, IEEE 1101.1/10	Anodized

ADDITIONAL PRODUCT DETAILS

Please order fixing material (sleeves, collar screws) separately.

DIAGRAMS



WARNING

nVent products shall be installed and used only as indicated in nVent's product instruction sheets and training materials. Instruction sheets are available at www.nvent.com and from your nVent customer service representative. Improper installation, misuse, misapplication or other failure to completely follow nVent's instructions and warnings may cause product malfunction, property damage, serious bodily injury and death and/or void your warranty.

North America

All locations
+1.763.422.2661
Chat with us:
nvent.com/schroff

Europe

Straubenhardt, Germany
+49.7082.794.0
Betschdorf, France
+33.3.88.90.64.90
Warsaw, Poland
+48.22.209.98.35
Assago, Italy
+39.02.932.7141
Chat with us:
nvent.com/schroff

Asia

Shanghai, China
+86.21.2412.6943
Qingdao, China
+86.532.8771.6101
Singapore
+65.6768.5800
Shin-Yokohama, Japan
+81.45.476.0271
Chat with us:
nvent.com/schroff

Middle East & India

Dubai, United Arab Emirates
+971.4.378.1700
Bangalore, India
+91.80.6715.2001
Istanbul, Turkey
+90.216.250.7374
Chat with us:
nvent.com/schroff



Our powerful portfolio of brands:

CADDY ERICO HOFFMAN ILSCO SCHROFF TRACHTE