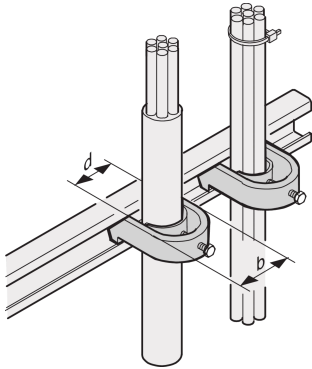


C-Rail Cable Shell

Data Solutions



C-Rails are for better cable management. Installation generally behind the 19" uprights. They are compatible with standard cable clabs.

CERTIFICATIONS



FEATURES

For mounting of cables on C-profiles and cable support rails

SPECIFICATIONS

Product Type: Clamp

Material: Steel

Table 1/1

Catalog Number	Finish	Package Quantity	Product Family	Type	Works With
20114-728	Tin Plated	10	Varistar CP	Cable Clamp	
20118-778	Tin Plated	10	Varistar CP	Cable Clamp	
20118-777	Tin Plated	10	Varistar CP	Cable Clamp	
20118-776	Tin Plated	10	Varistar CP	Cable Clamp	

Catalog Number	Finish	Package Quantity	Product Family	Type	Works With
20114-729	Tin Plated	10	Varistar CP	Cable Clamp	
20118-775	Tin Plated	10	Varistar CP	Cable Clamp	
20114-731	Tin Plated	10	Varistar CP	Cable Clamp	Varistar CP
20114-730	Tin Plated	10	Varistar CP	Cable Clamp	

WARNING

nVent products shall be installed and used only as indicated in nVent's product instruction sheets and training materials. Instruction sheets are available at www.nvent.com and from your nVent customer service representative. Improper installation, misuse, misapplication or other failure to completely follow nVent's instructions and warnings may cause product malfunction, property damage, serious bodily injury and death and/or void your warranty.



Our powerful portfolio of brands:

CADDY ERICO HOFFMAN ILSCO SCHROFF TRACHTE