

# Four Pole Distribution Block, 80/100 A, 1 Line Side & 6 Load Side Connections

## Data Solutions

### CATALOG NUMBER

**TD-80-100A**



### CERTIFICATIONS



### FEATURES

Minimum space for maximum power

Protection cover and insulating screens are transparent

Insulating screen between each row

Easy and safe connections

Easily clips onto DIN rail or mounts to panel with screws

Solid bars provide reliability

Wiring with or without terminal

RoHS compliant

Conforms to EN 45545 obtaining an HL3 classification for chapter R23 and HL2 classification for chapter R22

Halogen free

## PRODUCT ATTRIBUTES

Article Number: 563920

Material: Thermoplastic; Brass

Max Current Rating, IEC: 100A

Short Term Withstand Current (Icw) 1s: 4.5kA

Peak Short Circuit Current (Ipk): 20kA

Max Working Voltage, IEC (Ui): 500V

Line Side Number of Connections: 1

Line Side Compact Stranded Wire Size: 10 - 25 mm<sup>2</sup>

Line Side Stranded Wire Size - Ferrule: 10 – 25mm<sup>2</sup>

Load Side Number of Connections: 6

Load Side Compact Stranded Wire Size: (3) 1,5 - 4 mm<sup>2</sup>; (3) 2,5 - 6 mm<sup>2</sup>

Load Side Stranded Wire Size - Ferrule: (3) 0,75 – 4 mm<sup>2</sup>; (3) 1,5 – 6 mm<sup>2</sup>

Depth (D): 50mm

Height (H): 90mm

Width (W): 64mm

Unit Weight: 0.21kg

Flammability Rating: UL® 94V-0

Complies With: IEC® 60947-7-1

## ADDITIONAL PRODUCT DETAILS

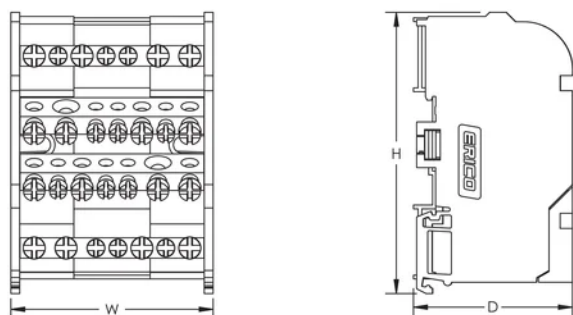
Line side and load side number of connections are per pole.

Design Guideline for Distribution Blocks, Power Blocks and Power Terminals										
Derating according to Ambient* Temperature (°C) to maintain working temperature of 85°C										
Ambient Temperature (°C)	30°	35°	40°	45°	50°	55°	60°	65°	70°	75°
Derating Coefficient (d)	1	1	1	0.94	0.88	0.82	0.75	0.67	0.58	0.47

\*environment around the terminal blocks inside the enclosure

## DIAGRAMS

---



## WARNING

---

nVent products shall be installed and used only as indicated in nVent's product instruction sheets and training materials. Instruction sheets are available at [www.nvent.com](http://www.nvent.com) and from your nVent customer service representative. Improper installation, misuse, misapplication or other failure to completely follow nVent's instructions and warnings may cause product malfunction, property damage, serious bodily injury and death and/or void your warranty.



Our powerful portfolio of brands:

**CADDY ERICO HOFFMAN ILSCO SCHROFF TRACHTE**