

Universal Structural Bracket



This code-compliant Structural Attachment is part of the nVent CADDY line of innovative rigid bracing system, designed to provide superior performance and meet the highest seismic load requirements. Its versatile design allows quick and easy installation directly to concrete, wood, bar joist or I-beam adapters and is compatible with 1" through 2" brace pipes. Its snap-off bolt makes inspection of seismic sway braces simple.

CERTIFICATIONS



FEATURES

Universal design allows one product to attach directly to concrete, wood, bar joist or I-beam adapters

Integrated angle gauge easily displays brace member angle of installation

Snap-off bolt head helps enable easy installation and inspection of seismic sway braces

Works with 1" through 2" (25,4mm through 50,8mm) brace pipes to reduce inventory

Low profile minimizes prying effect on concrete fasteners

Meets NFPA® 13 as pre-qualified for seismic applications

FM Approved with the following brace members: Type A Solid Strut (12 gauge or thicker) and 1-2 in Sch40/EN 10255H Pipe

FM Specification Tested with the following brace members: Type A Solid Strut (12 gauge or thicker), 1-2 in Sch40/EN 10255H Pipe, 1 in EMT Conduit, and 1 in Rigid Conduit

SPECIFICATIONS

Finish: Electrogalvanized

Material: Steel

Table 1/2

| Catalog Number | Article Number | Hole Size (HS) | Width (W) | Thickness (T) | A | B |
|----------------|----------------|----------------|-----------|---------------|---|---|
|----------------|----------------|----------------|-----------|---------------|---|---|

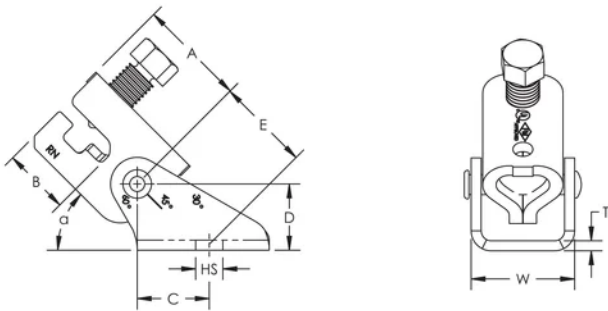
| | | | | | | |
|---------|--------|---------|-------|------|-------|-------|
| CSBU2N | 404137 | 20.6 mm | 49 mm | 5 mm | 52 mm | 33 mm |
| CSBU1N | 404135 | 13 mm | 49 mm | 5 mm | 52 mm | 33 mm |
| CSBU58N | 404138 | 17.5 mm | 49 mm | 5 mm | 52 mm | 33 mm |

Table 2/2

| Catalog Number | Article Number | C | D | E | UL Listed Load |
|----------------|----------------|-------|-------|-------|----------------|
| CSBU2N | 404137 | 35 mm | 32 mm | 44 mm | 8896N |
| CSBU1N | 404135 | 35 mm | 32 mm | 44 mm | 8896N |
| CSBU58N | 404138 | 35 mm | 32 mm | 44 mm | 8896N |

| FM Loads | | | | |
|-------------|--|----------|----------|----------|
| Part Number | Horizontal Capacity per Installation Angle from Vertical | | | |
| | 30°- 44° | 45°- 59° | 60°- 74° | 75°- 90° |
| CSBU1xxx | 7510 N | 9830 N | 11830 N | 13740 N |
| CSBU2xxx | 6580 N | 10180 N | 12720 N | 13740 N |
| CSBU58xxx | 6580 N | 9830 N | 11830 N | 13740 N |

DIAGRAMS



WARNING

nVent products shall be installed and used only as indicated in nVent's product instruction sheets and training materials. Instruction sheets are available at www.nvent.com and from your nVent customer service representative. Improper installation, misuse, misapplication or other failure to completely follow nVent's instructions and warnings may cause product malfunction, property damage, serious bodily injury and death and/or void your warranty.

North America

+1.800.753.9221

Option 1 – Customer Care

Option 2 – Technical

Support

Europe

Netherlands:

+31 800-0200135

France:

+33 800 901 793

Europe

Germany:

800 1890272

Other Countries:

+31 13 5835404

APAC

Shanghai:

+ 86 21 2412 1618/19

Sydney:

+61 2 9751 8500



Our powerful portfolio of brands:

CADDY

ERICO

HOFFMAN

ILSCO

SCHROFF

TRACHTE

