

Universal Structural Bracket



This code-compliant Structural Attachment is part of the nVent CADDY line of innovative rigid bracing system, designed to provide superior performance and meet the highest seismic load requirements. Its versatile design allows quick and easy installation directly to concrete, wood, bar joist or I-beam adapters and is compatible with 1" through 2" brace pipes. Its snap-off bolt makes inspection of seismic sway braces simple.

CERTIFICATIONS



FEATURES

Universal design allows one product to attach directly to concrete, wood, bar joist or I-beam adapters

Integrated angle gauge easily displays brace member angle of installation

Snap-off bolt head helps enable easy installation and inspection of seismic sway braces

Works with 1" through 2" (25,4mm through 50,8mm) brace pipes to reduce inventory

Low profile minimizes prying effect on concrete fasteners

Meets NFPA® 13 as pre-qualified for seismic applications

FM Approved with the following brace members: Type A Solid Strut (12 gauge or thicker) and 1-2 in Sch40/EN 10255H Pipe

FM Specification Tested with the following brace members: Type A Solid Strut (12 gauge or thicker), 1-2 in Sch40/EN 10255H Pipe, 1 in EMT Conduit, and 1 in Rigid Conduit

SPECIFICATIONS

Material: Steel

Table 1/2

Catalog Number	Finish	Hole Size (HS)	Width (W)	Thickness (T)	A	B
----------------	--------	----------------	-----------	---------------	---	---

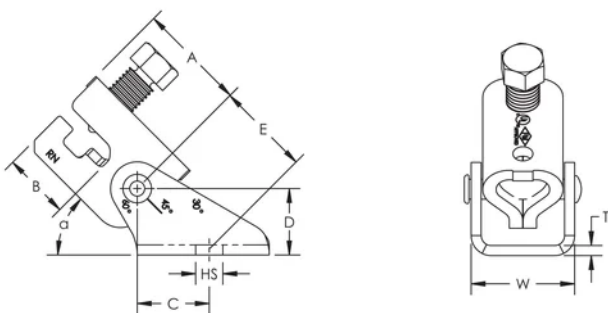
CSBU2N	Electrogalvanized	20.6 mm	49 mm	5 mm	52 mm	33 mm
CSBU1N	Electrogalvanized	13 mm	49 mm	5 mm	52 mm	33 mm
CSBU58HDN	Hot-Dip Galvanized	17 mm	49 mm	5 mm	52 mm	33 mm
CSBU2HDN	Hot-Dip Galvanized	21 mm	49 mm	5 mm	52 mm	33 mm
CSBU58N	Electrogalvanized	17.5 mm	49 mm	5 mm	52 mm	33 mm
CSBU1HDN	Hot-Dip Galvanized	14.3 mm	49 mm	5 mm	52 mm	33 mm

Table 2/2

Catalog Number	C	D	E	UL Listed Load
CSBU2N	35 mm	32 mm	44 mm	8896N
CSBU1N	35 mm	32 mm	44 mm	8896N
CSBU58HDN	35 mm	32 mm	44 mm	8896N
CSBU2HDN	35 mm	32 mm	44 mm	8896N
CSBU58N	35 mm	32 mm	44 mm	8896N
CSBU1HDN	35 mm	32 mm	44 mm	8896N

FM Loads				
Part Number	Horizontal Capacity per Installation Angle from Vertical			
	30°- 44°	45°- 59°	60°- 74°	75°- 90°
CSBU1xxx	7510 N	9830 N	11830 N	13740 N
CSBU2xxx	6580 N	10180 N	12720 N	13740 N
CSBU58xxx	6580 N	9830 N	11830 N	13740 N

DIAGRAMS



WARNING

nVent products shall be installed and used only as indicated in nVent's product instruction sheets and training materials. Instruction sheets are available at www.nvent.com and from your nVent customer service representative. Improper installation, misuse, misapplication or other failure to completely follow nVent's instructions and warnings may cause product malfunction, property damage, serious bodily injury and death and/or void your warranty.

North America

+1.800.753.9221

Option 1 – Customer Care

Option 2 – Technical

Support

Europe

Netherlands:

+31 800-0200135

France:

+33 800 901 793

Europe

Germany:

800 1890272

Other Countries:

+31 13 5835404

APAC

Shanghai:

+ 86 21 2412 1618/19

Sydney:

+61 2 9751 8500



Our powerful portfolio of brands:

CADDY

ERICO

HOFFMAN

ILSCO

SCHROFF

TRACHTE

