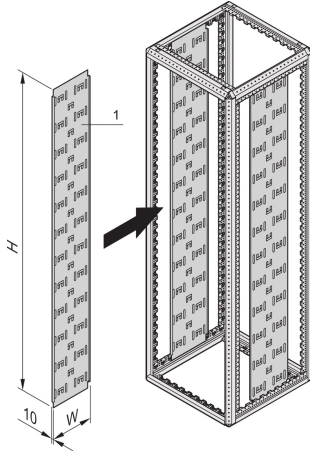


Varistar Cable Panel



Vertical cable panel for Varistar free standing cabinets powdered in cabinet color in different widths.

CERTIFICATIONS



FEATURES

For fitting directly onto the frame

Cables are assembled in place with cable ties or Velcro

SPECIFICATIONS

Product Type: Cabinet/Rack Panel

Material: Steel

Table 1/2

| Catalog Number | Rack Height | Height | Width | Depth | Package Quantity | Color |
|----------------|-------------|--------|-------|-------|------------------|------------|
| 23130-625 | 52U | 2450mm | 250mm | 250mm | 2 | Black Grey |
| 23130-502 | | 1019mm | 110mm | 10mm | 2 | Black Grey |
| 23130-422 | 47U | 2200mm | 150mm | 150mm | 2 | Black Grey |
| 23130-501 | | 446mm | 110mm | 10mm | 2 | Black Grey |

| Catalog Number | Rack Height | Height | Width | Depth | Package Quantity | Color |
|----------------|-------------|---------|-------|-------|------------------|------------|
| 23130-503 | | 670mm | 110mm | 10mm | 2 | Black Grey |
| 23130-500 | | 604mm | 110mm | 10mm | 2 | Black Grey |
| 23130-504 | | 496mm | 110mm | 10mm | 2 | Black Grey |
| 23130-628 | 52U | 2450mm | 150mm | 150mm | 2 | Black Grey |
| 23130-420 | 38U | 1800mm | 150mm | 150mm | 2 | Black Grey |
| 23130-150 | 42U | 2000mm | 250mm | 250mm | 2 | Black Grey |
| 23130-151 | 47U | 2200mm | 250mm | 250mm | 2 | Black Grey |
| 23130-421 | 42U | 2000mm | 150mm | 150mm | 2 | Black Grey |
| 23130-499 | | 915.5mm | 110mm | 10mm | 2 | Black Grey |

Table 2/2

| Catalog Number | Color Code | Finish | Type |
|----------------|------------|---------------|-------------|
| 23130-625 | RAL 7021 | Powder Coated | Cable Panel |
| 23130-502 | RAL 7021 | Powder Coated | Cable Panel |
| 23130-422 | RAL 7021 | Powder Coated | Cable Panel |
| 23130-501 | RAL 7021 | Powder Coated | Cable Panel |
| 23130-503 | RAL 7021 | Powder Coated | Cable Panel |
| 23130-500 | RAL 7021 | Powder Coated | Cable Panel |
| 23130-504 | RAL 7021 | Powder Coated | Cable Panel |
| 23130-628 | RAL 7021 | Powder Coated | Cable Panel |
| 23130-420 | RAL 7021 | Powder Coated | Cable Panel |
| 23130-150 | RAL 7021 | Powder Coated | Cable Panel |
| 23130-151 | RAL 7021 | Powder Coated | Cable Panel |
| 23130-421 | RAL 7021 | Powder Coated | Cable Panel |
| 23130-499 | RAL 7021 | Powder Coated | Cable Panel |

WARNING

nVent products shall be installed and used only as indicated in nVent's product instruction sheets and training materials. Instruction sheets are available at www.nvent.com and from your nVent customer service representative. Improper installation, misuse, misapplication or other failure to completely follow nVent's instructions and warnings may cause product malfunction, property damage, serious bodily injury and death and/or void your warranty.

North America

All locations

+1.763.422.2661

Chat with us:

nvent.com/schroff

Europe

Straubenhardt, Germany

+49.7082.794.0

Betschdorf, France

+33.3.88.90.64.90

Warsaw, Poland

+48.22.209.98.35

Assago, Italy

+39.02.932.7141

Chat with us:

nvent.com/schroff

Asia

Shanghai, China

+86.21.2412.6943

Qingdao, China

+86.532.8771.6101

Singapore

+65.6768.5800

Shin-Yokohama, Japan

+81.45.476.0271

Chat with us:

nvent.com/schroff

Middle East & India

Dubai, United Arab Emirates

+971.4.378.1700

Bangalore, India

+91.80.6715.2001

Istanbul, Turkey

+90.216.250.7374

Chat with us:

nvent.com/schroff



Our powerful portfolio of brands:

CADDY

ERICO

HOFFMAN

ILSCO

SCHROFF

TRACHTE