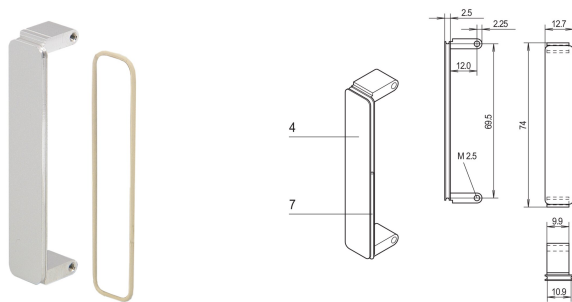


PMC Mezzanine Front Panel, Non-Shielded, Untreated Zinc Die-Cast

KATALOGNUMMER

20835-896



Mezzanine front panel is fitted into PMC front panel cut-outs. Available in different treatments.

CERTIFICERINGER



FUNKTIONER

Mezzanine front panel is fitted into PMC front panel cut-outs

EMC shielding with conductive O-ring

PRODUKTEGENSKABER

Product Type: Front Panel

Type: Front Panel without Handle

Mounting: Screw-on Front

EMC Shielding: No (Retrofittable)

Materiale: Zinc

Front Finish: Anodized

Rear Finish: Anodized

Treated Edges: No

Højde: 74mm

Bredde: 12.7mm

Complies With: PMC Mezzanine, IEEE P1386

Pakke mængde: 10

Net Weight: 0.226kg

ADVARSEL

nVent-produkter skal kun installeres og anvendes som angivet i nVents produktvejledninger og træningsmaterialer. Vejledninger er tilgængelige på www.nvent.com og hos din nVent kundeservicerepræsentant. Forkert installation, misbrug, fejlanvendelse eller anden unkladelse af fuldt ud at følge nVents instruktioner og advarsler kan medføre funktionsfejl, materielle skader, alvorlige personskader eller død og/eller ugyldiggøre din garanti.

North America

All locations
+1.763.422.2661
Chat with us:
nvent.com/schroff

Europe

Straubenhardt, Germany
+49.7082.794.0
Betschdorf, France
+33.3.88.90.64.90
Warsaw, Poland
+48.22.209.98.35
Assago, Italy
+39.02.932.7141
Chat with us:
nvent.com/schroff

Asia

Shanghai, China
+86.21.2412.6943
Qingdao, China
+86.532.8771.6101
Singapore
+65.6768.5800
Shin-Yokohama, Japan
+81.45.476.0271
Chat with us:
nvent.com/schroff

Middle East & India

Dubai, United Arab
Emirates
+971.4.378.1700
Bangalore, India
+91.80.6715.2001
Istanbul, Turkey
+90.216.250.7374
Chat with us:
nvent.com/schroff



Vores kraftfulde portefølje af mærker:

CADDY ERICO HOFFMAN ILSCO SCHROFF TRACHTE