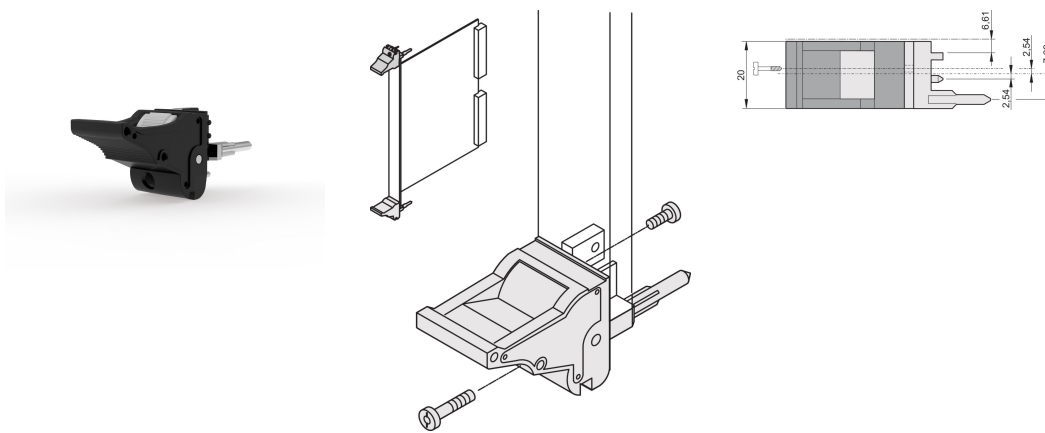


Insertor/Extractor Handle Type IEL, Black Lever, Grey Button, Bottom, 100 Pieces

KATALOGNUMMER

20817-683



The inserter/extractor handle, type IEL in accordance with IEEE 1101.10. 0,1" offset Two of these handles can overcome a single lever force of 700N (per pair).

CERTIFICERINGER



FUNKTIONER

Suitable for insertion and extraction forces up to 700 N (per pair)

In accordance with IEEE 1101.10 and IEC 60297-3-102

A microswitch can be mounted

0.1" offset is used for PSUs with SMD Plus

PRODUKTEGENSKABER

Pakke mængde: 100

Håndtagstype: IEL; Bottom Front

Flammability Rating: UL® 94V-0

Farve: Black

Complies With: EN 45545-2

Materiale: Polycarbonate; Zinc Alloy

Product Type: Handle

Type: Inserter/Extractor, 0.1" Offset

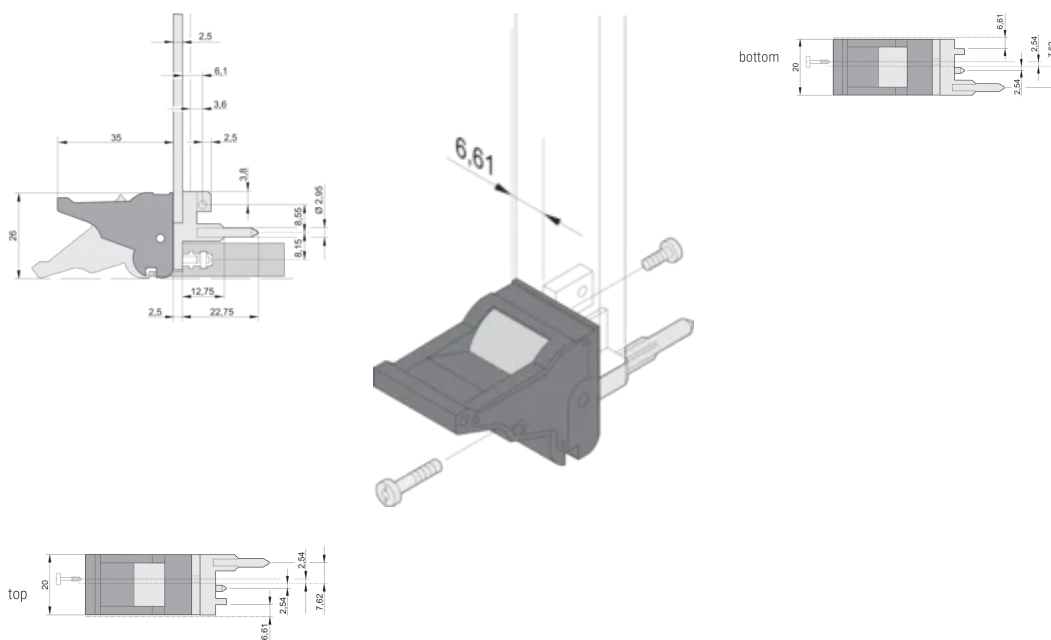
Works With: Front Panels

Net Weight: 2.43kg

YDERLIGERE PRODUKTOPLYSNINGER

Please order Coding pegs and Microswitch separately.

DIAGRAMS



ADVARSEL

nVent-produkter skal kun installeres og anvendes som angivet i nVents produktvejledninger og træningsmaterialer. Vejledninger er tilgængelige på www.nvent.com og hos din nVent kundeservicerepræsentant. Forkert installation, misbrug, fejlanvendelse eller anden unndladelse af fuldt ud at følge nVents instruktioner og advarsler kan medføre funktionsfejl, materielle skader, alvorlige personskader eller død og/eller ugyldiggøre din garanti.

North America

All locations
+1.763.422.2661
Chat with us:
nvent.com/schroff

Europe

Straubenhardt, Germany
+49.7082.794.0
Betschdorf, France
+33.3.88.90.64.90
Warsaw, Poland
+48.22.209.98.35
Assago, Italy
+39.02.932.7141
Chat with us:
nvent.com/schroff

Asia

Shanghai, China
+86.21.2412.6943
Qingdao, China
+86.532.8771.6101
Singapore
+65.6768.5800
Shin-Yokohama, Japan
+81.45.476.0271
Chat with us:
nvent.com/schroff

Middle East & India

Dubai, United Arab
Emirates
+971.4.378.1700
Bangalore, India
+91.80.6715.2001
Istanbul, Turkey
+90.216.250.7374
Chat with us:
nvent.com/schroff



Vores kraftfulde portefølje af mærker:

CADDY ERICO HOFFMAN ILSCO SCHROFF TRACHTE