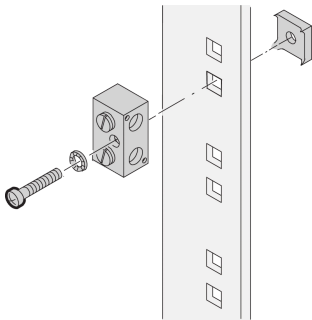


Grounding/Grounding Clamp

KATALOGNUMMER

20118-030



These mechanical grounding clamps are designed for use with cable to bar in grounding and bonding systems. The Schroff grounding clamp allows a cross section of 100 mm².

CERTIFICERINGER



FUNKTIONER

Maximum cable cross-section 100 mm²

IBM-compatible grounding terminal for connecting a cabinet to the building ground

Surface tin-plated, in accordance with IBM Ref. No. 4716804

PRODUKTEGENSKABER

Product Type: Clamp

Finish: Galvaniseret

Materiale: Aluminium

Net Weight: 0.073kg

Pakke mængde: 1

ADVARSEL

nVent-produkter skal kun installeres og anvendes som angivet i nVents produktvejledninger og træningsmaterialer. Vejledninger er tilgængelige på www.nvent.com og hos din nVent kundeservicerepræsentant. Forkert installation, misbrug,

fejlanvendelse eller anden undladelse af fuldt ud at følge nVents instruktioner og advarsler kan medføre funktionsfejl, materielle skader, alvorlige personskader eller død og/eller ugyldiggøre din garanti.

North America

All locations
+1.763.422.2661
Chat with us:
nvent.com/schroff

Europe

Straubenhardt, Germany
+49.7082.794.0
Betschdorf, France
+33.3.88.90.64.90
Warsaw, Poland
+48.22.209.98.35
Assago, Italy
+39.02.932.7141
Chat with us:
nvent.com/schroff

Asia

Shanghai, China
+86.21.2412.6943
Qingdao, China
+86.532.8771.6101
Singapore
+65.6768.5800
Shin-Yokohama, Japan
+81.45.476.0271
Chat with us:
nvent.com/schroff

Middle East & India

Dubai, United Arab Emirates
+971.4.378.1700
Bangalore, India
+91.80.6715.2001
Istanbul, Turkey
+90.216.250.7374
Chat with us:
nvent.com/schroff



Vores kraftfulde portefølje af mærker:

CADDY ERICO HOFFMAN ILSCO SCHROFF TRACHTE