

# Four Pole Distribution Block, 80/100 A, 1 Line Side & 6 Load Side Connections

## Data Solutions

### KATALOGNUMMER

**TD-80-100A**



### CERTIFICERINGER



### FUNKTIONER

Minimum space for maximum power

Protection cover and insulating screens are transparent

Insulating screen between each row

Easy and safe connections

Easily clips onto DIN rail or mounts to panel with screws

Solid bars provide reliability

Wiring with or without terminal

RoHS compliant

Conforms to EN 45545 obtaining an HL3 classification for chapter R23 and HL2 classification for chapter R22

Halogen free

## PRODUKTEGENSKABER

Artikelnummer: 563920

Materiale: Thermoplastic; Brass

Max Current Rating, IEC: 100A

Short Term Withstand Current (I<sub>cw</sub>) 1s: 4.5kA

Peak Short Circuit Current (I<sub>pk</sub>): 20kA

Max Working Voltage, IEC (U<sub>i</sub>): 500V

Line Side Number of Connections: 1

Line Side Compact Stranded Wire Size: 10 - 25 mm<sup>2</sup>

Line Side Stranded Wire Size - Ferrule: 10 – 25mm<sup>2</sup>

Load Side Number of Connections: 6

Load Side Compact Stranded Wire Size: (3) 1,5 - 4 mm<sup>2</sup>; (3) 2,5 - 6 mm<sup>2</sup>

Load Side Stranded Wire Size - Ferrule: (3) 0,75 – 4 mm<sup>2</sup>; (3) 1,5 – 6 mm<sup>2</sup>

Dybde (D): 50mm

Height (H): 90mm

Width (W): 64mm

Unit Weight: 0.21kg

Flammability Rating: UL® 94V-0

Complies With: IEC® 60947-7-1

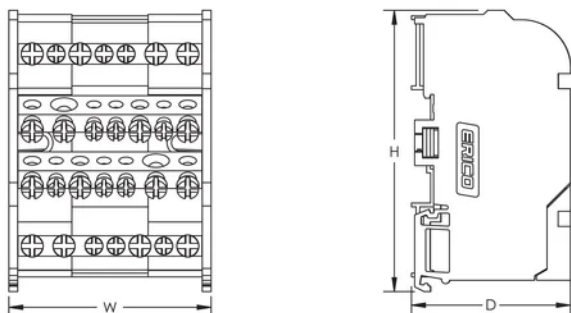
## YDERLIGERE PRODUKTOPLYSNINGER

Line side and load side number of connections are per pole.

Design Guideline for Distribution Blocks, Power Blocks and Power Terminals										
Derating according to Ambient* Temperature (°C) to maintain working temperature of 85°C										
Ambient Temperature (°C)	30°	35°	40°	45°	50°	55°	60°	65°	70°	75°
Derating Coefficient (d)	1	1	1	0.94	0.88	0.82	0.75	0.67	0.58	0.47
*environment around the terminal blocks inside the enclosure										

## DIAGRAMS

---



## ADVARSEL

---

nVent-produkter skal kun installeres og anvendes som angivet i nVents produktvejledninger og træningsmaterialer. Vejledninger er tilgængelige på [www.nvent.com](http://www.nvent.com) og hos din nVent kundeservicerepræsentant. Forkert installation, misbrug, fejlanvendelse eller anden undladelse af fuldt ud at følge nVents instruktioner og advarsler kan medføre funktionsfejl, materielle skader, alvorlige personskader eller død og/eller ugyldiggøre din garanti.



Vores kraftfulde portefølje af mærker:

**CADDY ERICO HOFFMAN ILSCO SCHROFF TRACHTE**