

Front Panel, Retrofit Shielding



Flat front panel. Shieldable with stainless steel EMC gasket.

CERTIFICATIONS



VLASTNOSTI

For stainless steel EMC gasket

Al, 2.5 mm, front anodized, conductive

SPECIFIKACE

Hloubka (D):	2.5mm
Materiál:	Hliník
Accessory Type:	Front panel
Product Type:	Front Panel
Typ:	Front Panel without Handle
EMC Shielding:	No (Retrofittable)

Table 1/2

Katalogové číslo	Rack Height	Rack Width	Množství v balení	Mounting	Gasket Type	Front Finish
20846-436	3U	28HP	1	Screw-on Front	Stainless Steel EMC	Anodized

Katalogové číslo	Rack Height	Rack Width	Množství v balení	Mounting	Gasket Type	Front Finish
20846-425	3U	3HP	1	Screw-on Front	Stainless Steel EMC	Anodized
30846-588	2U	84HP	1	Screw-on Front	Stainless Steel EMC	Anodized
30846-771	6U	84HP	1	Screw-on Front	Stainless Steel EMC	Anodized
20846-448	6U	10HP	1	Screw-on Front	Stainless Steel EMC	Anodized
30846-676	3U	84HP	1	Screw-on Front	Stainless Steel EMC	Anodized
20846-430	3U	8HP	1	Screw-on Front	Stainless Steel EMC	Anodized
20846-442	6U	3HP	1	Screw-on Front	Stainless Steel EMC	Anodized
20846-456	6U	16HP	1	Screw-on Front	Stainless Steel EMC	Anodized
20846-449	6U	12HP	1	Screw-on Front	Stainless Steel EMC	Anodized
20846-434	3U	21HP	1	Screw-on Front	Stainless Steel EMC	Anodized
20846-429	3U	7HP	1	Screw-on Front	Stainless Steel EMC	Anodized
20846-426	3U	4HP	1	Screw-on Front	Stainless Steel EMC	Anodized
20846-427	3U	5HP	1	Screw-on Front	Stainless Steel EMC	Anodized
20846-454	6U	63HP	1	Screw-on Front	Stainless Steel EMC	Anodized
20846-438	3U	63HP	1	Screw-on Front	Stainless Steel EMC	Anodized
20846-453	6U	42HP	1	Screw-on Front	Stainless Steel EMC	Anodized
20846-450	6U	14HP	1	Screw-on Front	Stainless Steel EMC	Anodized
20846-452	6U	28HP	1	Screw-on Front	Stainless Steel EMC	Anodized
20846-437	3U	42HP	1	Screw-on Front	Stainless Steel EMC	Anodized

Table 2/2

Katalogové číslo	Rack Height	Rack Width	Množství v balení	Mounting	Gasket Type	Front Finish
20846-451	6U	21HP	1	Screw-on Front	Stainless Steel EMC	Anodized
20846-446	6U	7HP	1	Screw-on Front	Stainless Steel EMC	Anodized
20846-431	3U	10HP	1	Screw-on Front	Stainless Steel EMC	Anodized
20846-424	3U	16HP	1	Screw-on Front	Stainless Steel EMC	Anodized
20846-445	6U	6HP	1	Screw-on Front	Stainless Steel EMC	Anodized
30846-865	6U	2HP	1	Screw-on Front	Stainless Steel EMC	Anodized
20846-428	3U	6HP	1	Screw-on Front	Stainless Steel EMC	Anodized
20846-444	6U	5HP	1	Screw-on Front	Stainless Steel EMC	Anodized
30846-864	3U	2HP	1	Screw-on Front	Stainless Steel EMC	Anodized
20846-433	3U	14HP	1	Screw-on Front	Stainless Steel EMC	Anodized
20846-432	3U	12HP	1	Screw-on Front	Stainless Steel EMC	Anodized
30846-859	9U	84HP	1	Screw-on Front	Stainless Steel EMC	Anodized
20846-447	6U	8HP	1	Screw-on Front	Stainless Steel EMC	Anodized
20846-443	6U	4HP	1	Screw-on Front	Stainless Steel EMC	Anodized
30846-683	4U	84HP	1	Screw-on Front	Stainless Steel EMC	Anodized

Table 1/2

Katalogové číslo	Rear Finish	Treated Edges	Complies With	Povrchová úprava	Výška (H)	Šířka (W)
20846-436	Conductive	No	IEC 60297-3-101, IEEE 1101.1/10	Anodized	128.4mm	141.9mm
20846-425	Conductive	No	IEC 60297-3-101, IEEE 1101.1/10	Anodized	128.4mm	14.9mm

Katalogové číslo	Rear Finish	Treated Edges	Complies With	Povrchová úprava	Výška (H)	Šířka (W)
30846-588	Conductive	No	IEC 60297-3-101, IEEE 1101.1/10	Anodized, Passivated	84mm	426.4mm
30846-771	Conductive	No	IEC 60297-3-101, IEEE 1101.1/10	Anodized	261.8mm	426.4mm
20846-448	Conductive	No	IEC 60297-3-101, IEEE 1101.1/10	Anodized	261.8mm	50.5mm
30846-676	Conductive	No	IEC 60297-3-101, IEEE 1101.1/10	Anodized, Passivated	128.4mm	426.4mm
20846-430	Conductive	No	IEC 60297-3-101, IEEE 1101.1/10	Anodized	128.4mm	40.3mm
20846-442	Conductive	No	IEC 60297-3-101, IEEE 1101.1/10	Anodized	261.8mm	14.9mm
20846-456	Conductive	No	IEC 60297-3-101, IEEE 1101.1/10	Anodized	261.8mm	80.9mm
20846-449	Conductive	No	IEC 60297-3-101, IEEE 1101.1/10	Anodized	261.8mm	60.6mm
20846-434	Conductive	No	IEC 60297-3-101, IEEE 1101.1/10	Anodized	128.4mm	106.3mm
20846-429	Conductive	No	IEC 60297-3-101, IEEE 1101.1/10	Anodized	128.4mm	35.2mm
20846-426	Conductive	No	IEC 60297-3-101, IEEE 1101.1/10	Anodized	128.4mm	20mm
20846-427	Conductive	No	IEC 60297-3-101, IEEE 1101.1/10	Anodized	128.4mm	25mm
20846-454	Conductive	No	IEC 60297-3-101, IEEE 1101.1/10	Anodized	261.8mm	319.7mm
20846-438	Conductive	No	IEC 60297-3-101, IEEE 1101.1/10	Anodized	128.4mm	319.7mm

Katalogové číslo	Rear Finish	Treated Edges	Complies With	Povrchová úprava	Výška (H)	Šířka (W)
20846-453	Conductive	No	IEC 60297-3-101, IEEE 1101.1/10	Anodized	261.8mm	213mm
20846-450	Conductive	No	IEC 60297-3-101, IEEE 1101.1/10	Anodized	261.8mm	70.8mm
20846-452	Conductive	No	IEC 60297-3-101, IEEE 1101.1/10	Anodized	261.8mm	141.9mm
20846-437	Conductive	No	IEC 60297-3-101, IEEE 1101.1/10	Anodized	128.4mm	213mm

Table 2/2

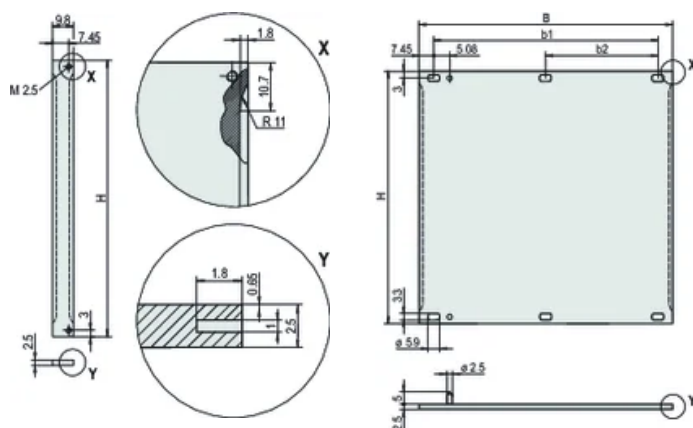
Katalogové číslo	Rear Finish	Treated Edges	Complies With	Povrchová úprava	Výška (H)	Šířka (W)
20846-451	Conductive	No	IEC 60297-3-101, IEEE 1101.1/10	Anodized	261.8mm	106.3mm
20846-446	Conductive	No	IEC 60297-3-101, IEEE 1101.1/10	Anodized	261.8mm	35.2mm
20846-431	Conductive	No	IEC 60297-3-101, IEEE 1101.1/10	Anodized	128.4mm	50.5mm
20846-424	Conductive	No	IEC 60297-3-101, IEEE 1101.1/10	Anodized	128.4mm	80.9mm
20846-445	Conductive	No	IEC 60297-3-101, IEEE 1101.1/10	Anodized	261.8mm	30.1mm
30846-865	Conductive	No	IEC 60297-3-101, IEEE 1101.1/10	Anodized	261.8mm	9.8mm
20846-428	Conductive	No	IEC 60297-3-101, IEEE 1101.1/10	Anodized	128.4mm	30.1mm
20846-444	Conductive	No	IEC 60297-3-101, IEEE 1101.1/10	Anodized	261.8mm	25mm
30846-864	Conductive	No	IEC 60297-3-101, IEEE 1101.1/10	Anodized	128.4mm	9.8mm

Katalogové číslo	Rear Finish	Treated Edges	Complies With	Povrchová úprava	Výška (H)	Šířka (W)
20846-433	Conductive	No	IEC 60297-3-101, IEEE 1101.1/10	Anodized	128.4mm	70.8mm
20846-432	Conductive	No	IEC 60297-3-101, IEEE 1101.1/10	Anodized	128.4mm	60.6mm
30846-859	Conductive	No	IEC 60297-3-101, IEEE 1101.1/10	Anodized	395.1mm	426.4mm
20846-447	Conductive	No	IEC 60297-3-101, IEEE 1101.1/10	Anodized	261.8mm	40.3mm
20846-443	Conductive	No	IEC 60297-3-101, IEEE 1101.1/10	Anodized	261.8mm	20mm
30846-683	Conductive	No	IEC 60297-3-101, IEEE 1101.1/10	Anodized	172.9mm	426.4mm

DALŠÍ PODROBNOSTI O PRODUKTU

Please order fixing material (sleeves, collar screws) separately.

DIAGRAMS



UPOZORNĚNÍ

Produkty nVent musí být instalovány a používány pouze tak, jak je uvedeno v instrukčních listech a materiálech pro školení nVent. Instrukční listy jsou k dispozici na www.nvent.com a od vašeho zástupce zákaznického servisu nVent. Nesprávná instalace, zneužití, nesprávné použití nebo jiný nedostatek úplného dodržování pokynů a varování nVent může způsobit selhání produktu, poškození majetku, vážné zranění osob a smrt a/nebo zrušit vaši záruku.

North America

All locations

+1.763.422.2661

Chat with us:

nvent.com/schroff

Europe

Straubenhardt, Germany

+49.7082.794.0

Betschdorf, France

+33.3.88.90.64.90

Warsaw, Poland

+48.22.209.98.35

Assago, Italy

+39.02.932.7141

Chat with us:

nvent.com/schroff

Asia

Shanghai, China

+86.21.2412.6943

Qingdao, China

+86.532.8771.6101

Singapore

+65.6768.5800

Shin-Yokohama, Japan

+81.45.476.0271

Chat with us:

nvent.com/schroff

Middle East & India

Dubai, United Arab Emirates

+971.4.378.1700

Bangalore, India

+91.80.6715.2001

Istanbul, Turkey

+90.216.250.7374

Chat with us:

nvent.com/schroff



Naše portfolio silných značek:

CADDY

ERICO

HOFFMAN

ILSCO

SCHROFF

TRACHTE