

Universal Structural Bracket



This code-compliant Structural Attachment is part of the nVent CADDY line of innovative rigid bracing system, designed to provide superior performance and meet the highest seismic load requirements. Its versatile design allows quick and easy installation directly to concrete, wood, bar joist or I-beam adapters and is compatible with 1" through 2" brace pipes. Its snap-off bolt makes inspection of seismic sway braces simple.

CERTIFICATIONS



VLASTNOSTI

Universal design allows one product to attach directly to concrete, wood, bar joist or I-beam adapters

Integrated angle gauge easily displays brace member angle of installation

Snap-off bolt head helps enable easy installation and inspection of seismic sway braces

Works with 1" through 2" (25,4mm through 50,8mm) brace pipes to reduce inventory

Low profile minimizes prying effect on concrete fasteners

Meets NFPA® 13 as pre-qualified for seismic applications

FM Approved with the following brace members: Type A Solid Strut (12 gauge or thicker) and 1-2 in Sch40/EN 10255H Pipe

FM Specification Tested with the following brace members: Type A Solid Strut (12 gauge or thicker), 1-2 in Sch40/EN 10255H Pipe, 1 in EMT Conduit, and 1 in Rigid Conduit

SPECIFIKACE

Povrchová úprava: Electrogalvanized

Materiál: Ocel

Table 1/2

Katalogové číslo	Article Number	Hole Size (HS)	Width (W)	Thickness (T)	A	B
------------------	----------------	----------------	-----------	---------------	---	---

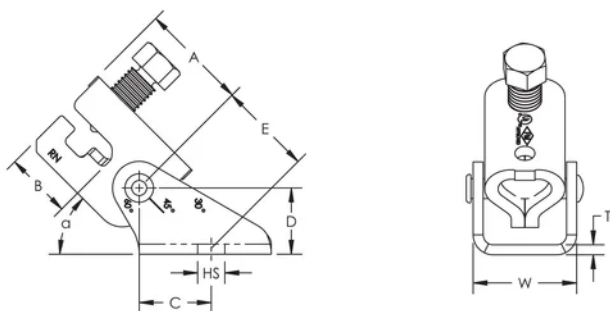
CSBU2N	404137	20.6 mm	49 mm	5 mm	52 mm	33 mm
CSBU1N	404135	13 mm	49 mm	5 mm	52 mm	33 mm
CSBU58N	404138	17.5 mm	49 mm	5 mm	52 mm	33 mm

Table 2/2

Katalogové číslo	Article Number	C	D	E	UL Listed Load
CSBU2N	404137	35 mm	32 mm	44 mm	8896N
CSBU1N	404135	35 mm	32 mm	44 mm	8896N
CSBU58N	404138	35 mm	32 mm	44 mm	8896N

FM Loads				
Part Number	Horizontal Capacity per Installation Angle from Vertical			
	30°- 44°	45°- 59°	60°- 74°	75°- 90°
CSBU1xxx	7510 N	9830 N	11830 N	13740 N
CSBU2xxx	6580 N	10180 N	12720 N	13740 N
CSBU58xxx	6580 N	9830 N	11830 N	13740 N

DIAGRAMS



UPOZORNĚNÍ

Produkty nVent musí být instalovány a používány pouze tak, jak je uvedeno v instrukčních listech a materiálech pro školení nVent. Instrukční listy jsou k dispozici na www.nvent.com a od vašeho zástupce zákaznického servisu nVent. Nesprávná instalace, zneužití, nesprávné použití nebo jiný nedostatek úplného dodržování pokynů a varování nVent může způsobit selhání produktu, poškození majetku, vážné zranění osob a smrt a/nebo zrušit vaši záruku.

North America

+1.800.753.9221

Option 1 – Customer Care

Option 2 – Technical

Support

Europe

Netherlands:

+31 800-0200135

France:

+33 800 901 793

Europe

Germany:

800 1890272

Other Countries:

+31 13 5835404

APAC

Shanghai:

+ 86 21 2412 1618/19

Sydney:

+61 2 9751 8500



Naše portfolio silných značek:

CADDY

ERICO

HOFFMAN

ILSCO

SCHROFF

TRACHTE

